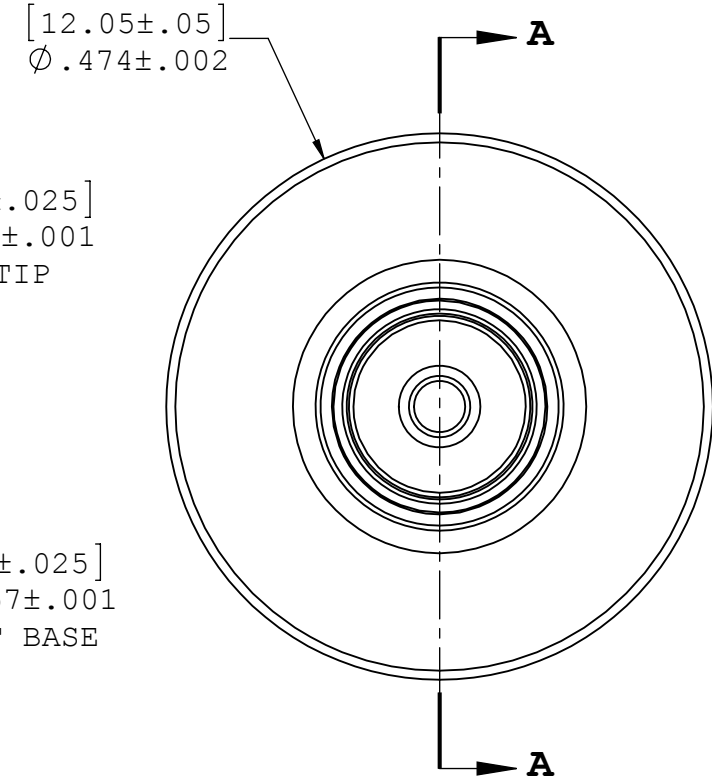
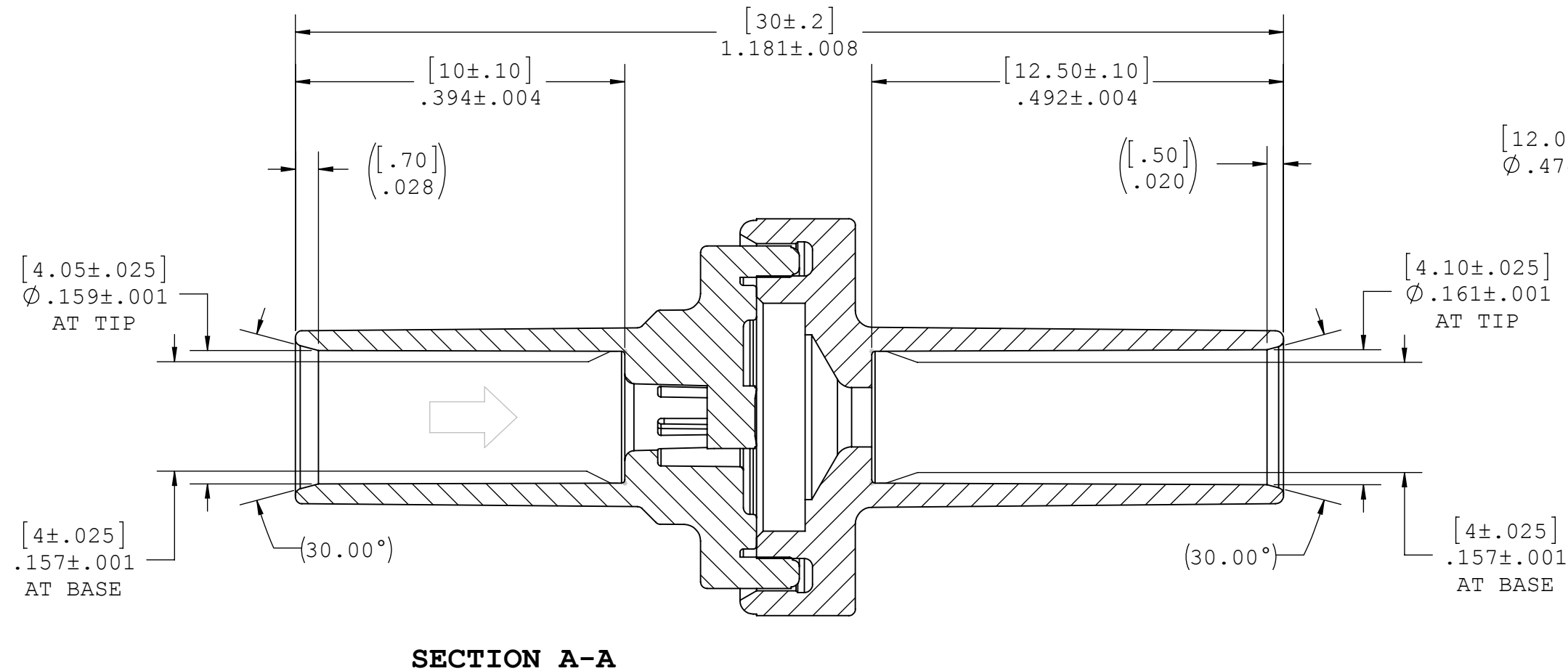
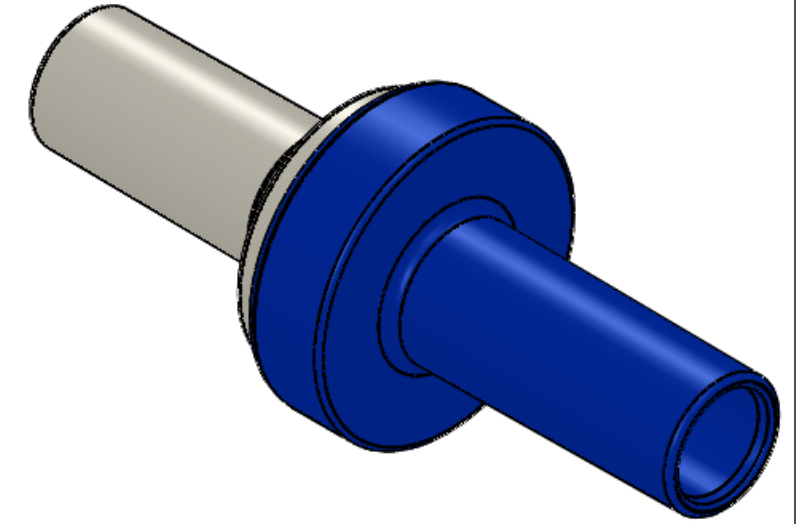


NOTES: FOR ADDITIONAL DETAILS, PLEASE CONTACT VP CUSTOMER SERVICE  
 DIMENSIONS MARKED  $\square$  ARE CONTROL DIMENSIONS

REVISIONS			
REV.	DESCRIPTION	DATE	APPROVED
A	INITIAL RELEASE	01/17/13	S.N.R



UNLESS OTHERWISE SPECIFIED DIMENSIONS ARE IN INCHES TOLERANCES ARE:		<b>VALUE PLASTICS, INC</b>			
FRACTIONS    DECIMAL    ANGULAR $\pm$ .XX $\pm$ .01 $\pm$ 1° .XXX $\pm$ .005 .XXXX $\pm$ .001		PART NUMBER: SCV06264			
DO NOT SCALE DRAWING		DESCRIPTION: Check Valve, Socket for 0.161 (4.1mm) to Socket for 0.161 (4.1mm), Clear MABS and Blue Clear MABS w/ Silicone Valve			
DRAWN BY: kyles	DATE: 1/24/2013	SIZE: <b>B</b>	SCALE: NTS	VER: 1025448	DWG. NO.    REV 1025448    A
MANAGER: RaviN		© 2011 VALUE PLASTICS, INC			SHEET: 1 OF 1

**FOR REFERENCE ONLY**